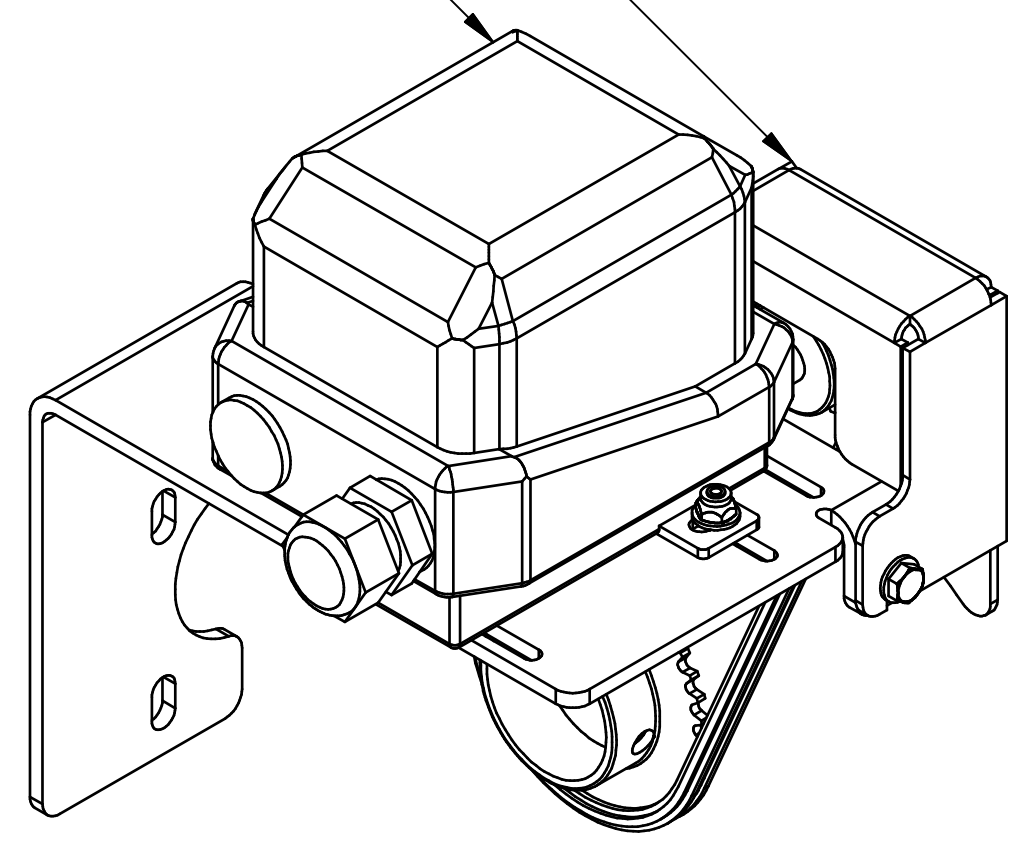
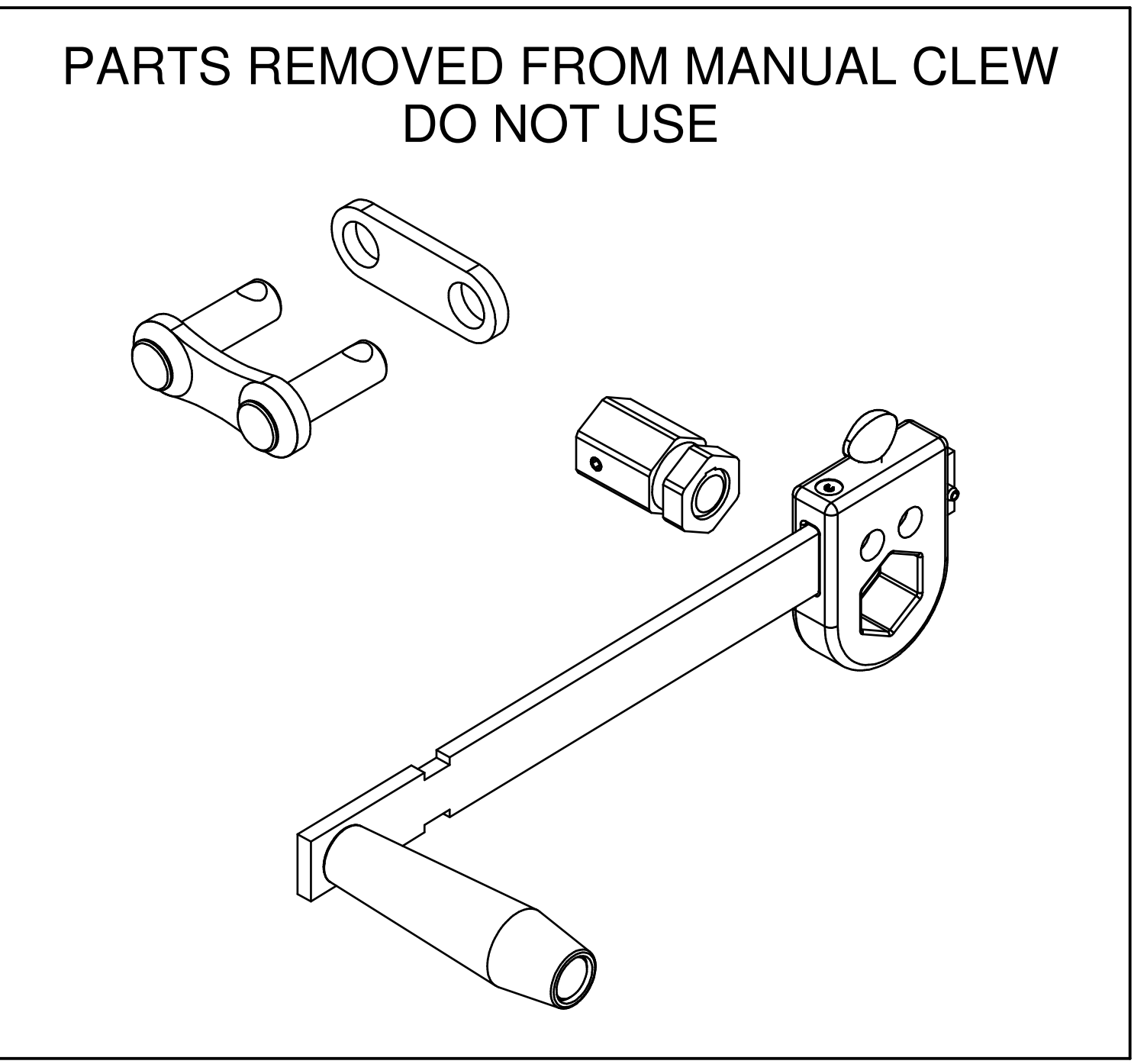
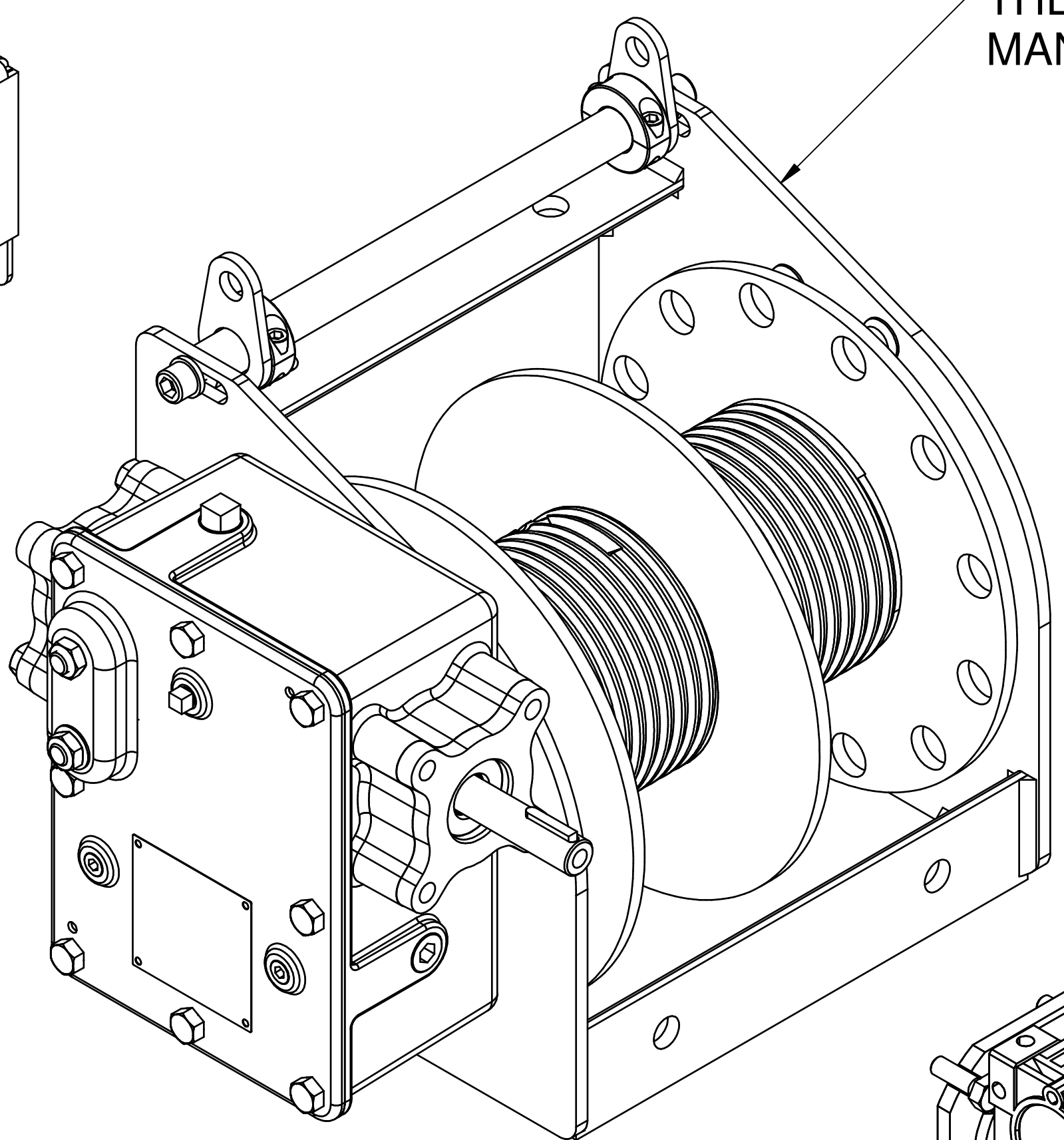


CHAIN DRIVE COMPONENTS

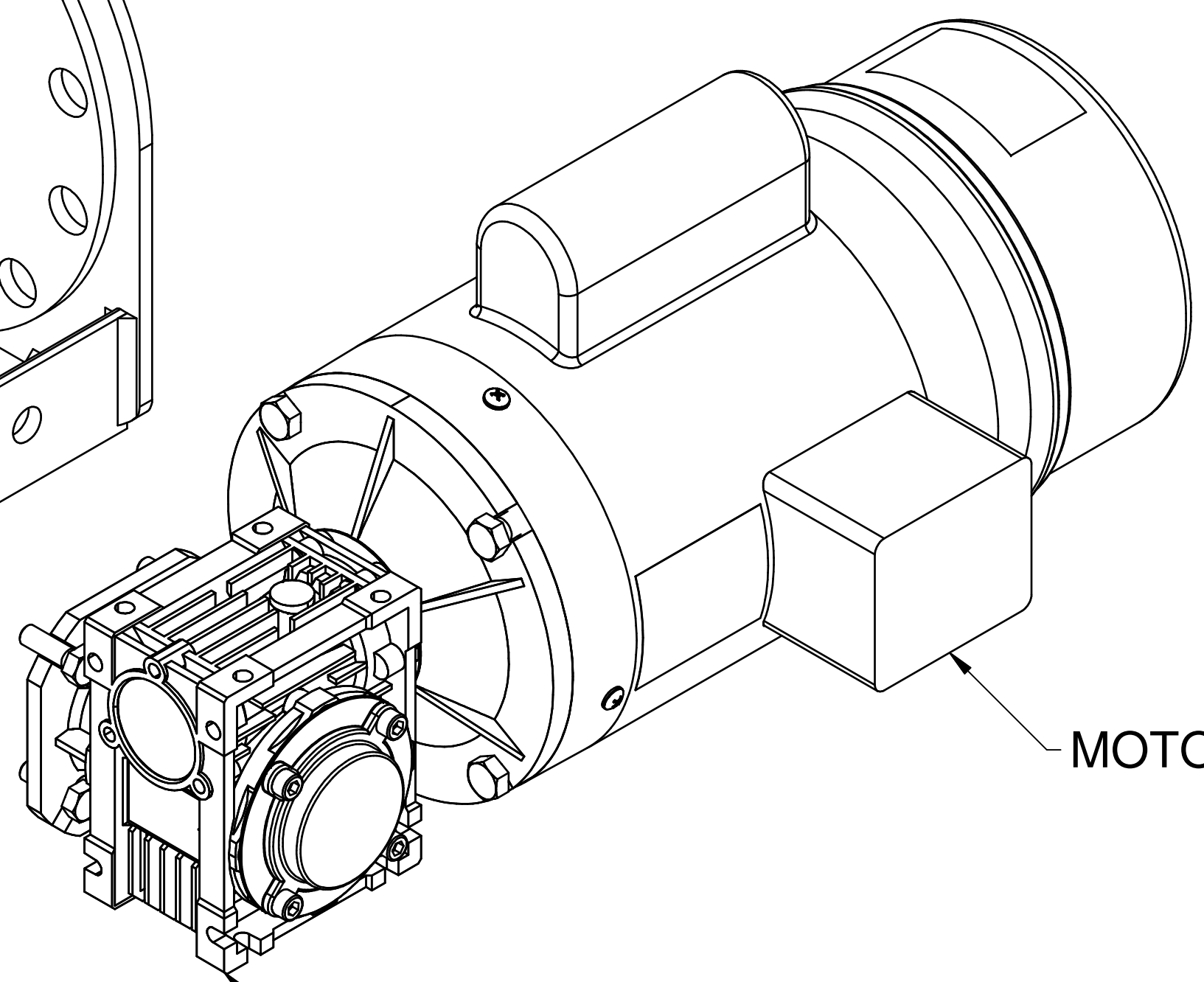
ROTARY LIMIT SWITCH



THERN CW11 SERIES
MANUAL CLEW WINCH



MOTOR



REDUCER

THIS PRINT IS THE PROPERTY OF THERN AND MUST NOT BE REPRODUCED EITHER IN FULL OR IN PART WITHOUT WRITTEN APPROVAL BY THERN.				TSE THERN STAGE EQUIPMENT		5712 INDUSTRIAL PARK ROAD WINONA, MN 55987 PHONE 1-800-553-2204 FAX 1-507-454-5282	
DESCRIPTION POWER CONVERSION KIT						TOLERANCES UNLESS SPECIFIED FRAC. ± 1" ANGLE ± 5° DO NOT SCALE DRAWING	
MODEL CW11 SERIES						DRAWING NUMBER D3324	
DRAWN BY JD	DATE 10/13/2008	WEIGHT N/A	SCALE NTS	REVISION	SHEET 1 OF 1		