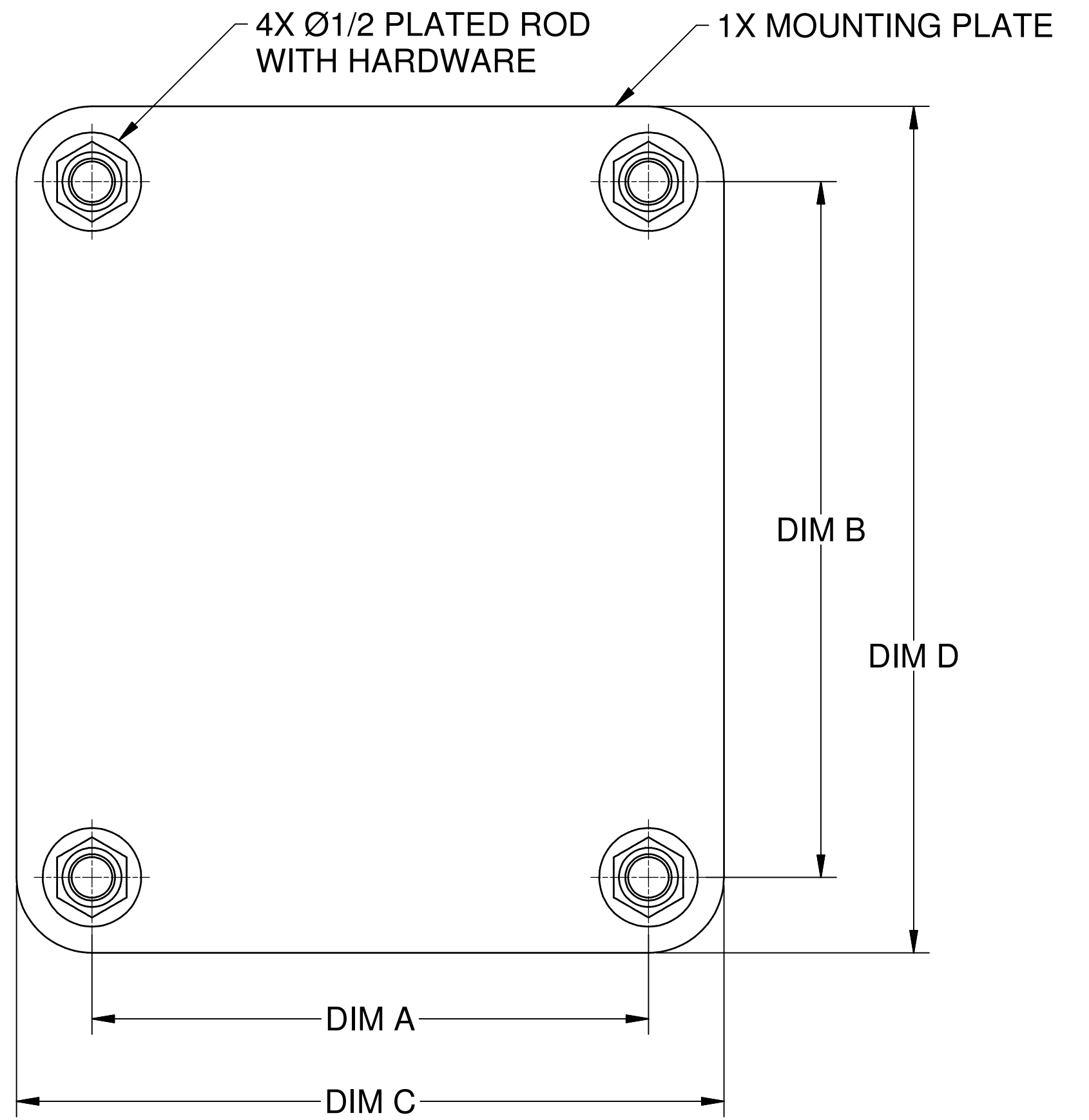
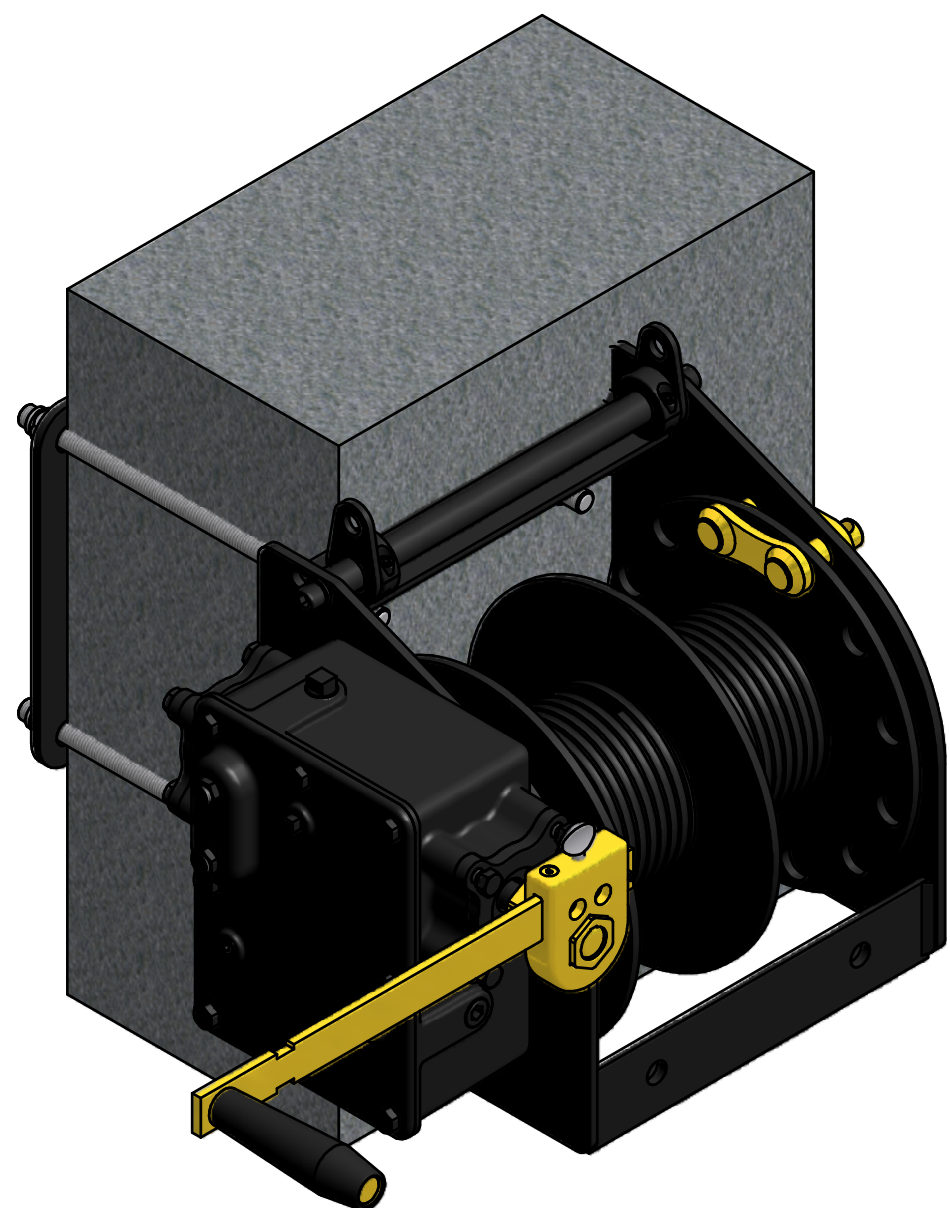


INLCUDES SET OF FOUR (4) TAMPER RESISTANT NUTS FOR OPTIONAL USE.



	DIM A	DIM B	DIM C	DIM D
CW11 SERIES	6	7-1/2	7-5/8	9-1/8
CW25 SERIES	12	12	13-5/8	13-5/8

ASSEMBLY SHOWN WITH ADDITIONAL EQUIPMENT NOT SUPPLIED WITH KIT.

CONTACT FACTORY FOR NON-STANDARD APPLICATIONS.

NOT FOR CONSTRUCTION

THIS PRINT IS THE PROPERTY OF THERN AND MUST NOT BE REPRODUCED EITHER IN FULL OR IN PART WITHOUT WRITTEN APPROVAL BY THERN.		TSE THERN STAGE EQUIPMENT		5712 INDUSTRIAL PARK ROAD WINONA, MN 55987 PHONE 1-800-553-2204 FAX 1-507-454-5282	
DESCRIPTION THRU-BOLT MOUNTING KIT				TOLERANCES UNLESS SPECIFIED FRAC. ± 1" ANGLE ± 5° DO NOT SCALE DRAWING	
MODEL CW SERIES				DRAWING NUMBER C4646	
DRAWN BY JCA	DATE 9/14/2009	WEIGHT	SCALE NTS	REVISION	SHEET 1 OF 1