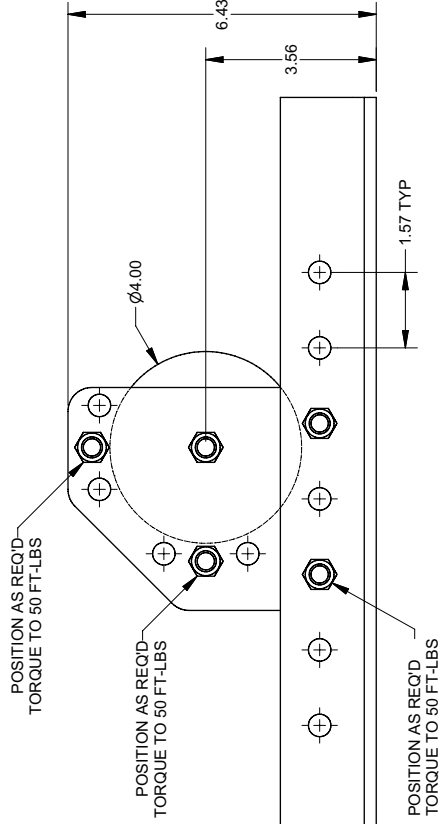
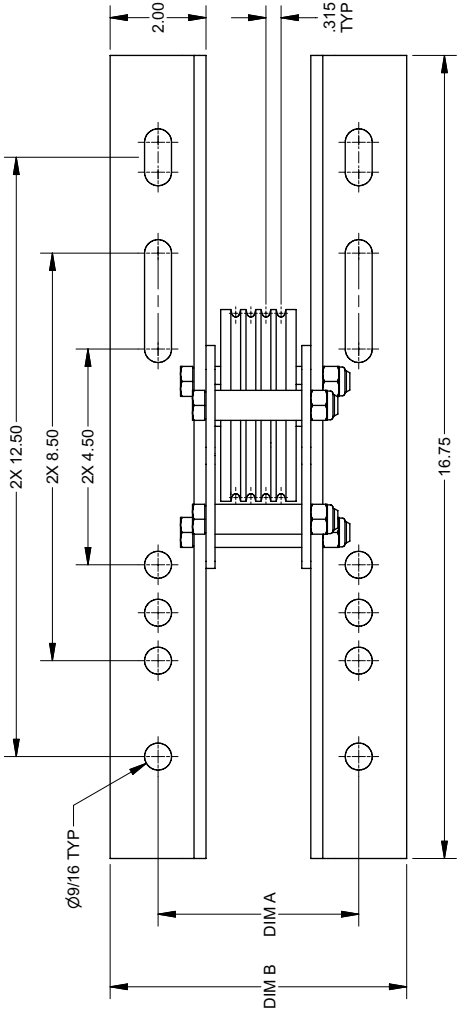


1 2 3 4

CENTERED MOUNT SPACINGS



4 GROOVE MODEL SHOWN

- NOTES:
- WORKING LOAD LIMITS (WLL) * :
 - MAY EXCEED CAPACITY OF THE ROPE.
 - USE ROPE MANUFACTURER'S RATING AND SAFETY FACTOR TO DETERMINE LOAD LIMIT.
 - ARE FOR UNITS MOUNTED USING STANDARD DESIGN AND CONSTRUCTION.
 - ARE BASED ON CABLES WRAPPED 90 DEGREES AROUND THE SHEAVES.
 - CONTACT FACTORY FOR OTHER CONDITIONS.
 - MOUNTING HARDWARE MUST BE DISTRIBUTED EVENLY ON BOTH ANGLES.
 - MINIMUM OF 4 ATTACHMENT POINTS.
 - CONTACT FACTORY FOR NON-STANDARD GROOVE OR MOUNTING REQUIREMENTS.

SPECIFICATIONS - DIMENSIONS (INCHES)

MODEL	GROOVES	ROPE SIZE	WLL (LBS)	DIM A	DIM B	WEIGHT
8SA4-S1G12	1	Ø1/8	300	3.48	5.48	12.4 LBS
8SA4-S2G12	2	Ø1/8	600	3.48	5.48	12.4 LBS
8SA4-S3G12	3	Ø1/8	600	3.71	5.71	12.7 LBS
8SA4-S4G12	4	Ø1/8	600	4.19	6.19	13.1 LBS
8SA4-S5G12	5	Ø1/8	600	4.19	6.19	13.1 LBS

NOT FOR CONSTRUCTION

THIS PRINT IS THE PROPERTY OF THERN AND MUST NOT BE REPRODUCED EITHER IN FULL OR IN PART WITHOUT WRITTEN APPROVAL BY THERN.

THERN
STAGE
EQUIPMENT

5712 INDUSTRIAL PARK ROAD
WINONA, MN 55987
PHONE 1-800-555-2204
FAX 1-507-454-5282

DESCRIPTION: **BLOCK W/ ANGLES - BALL BEARING**

MODEL: **8SA4-S SERIES**

DRAWING NUMBER: **C4523**

DATE: JCA 8/22/2008

SCALE: N/A

WEIGHT: N/A

NTS: N/A

REVISION: N/A

SHEET 1 OF 1