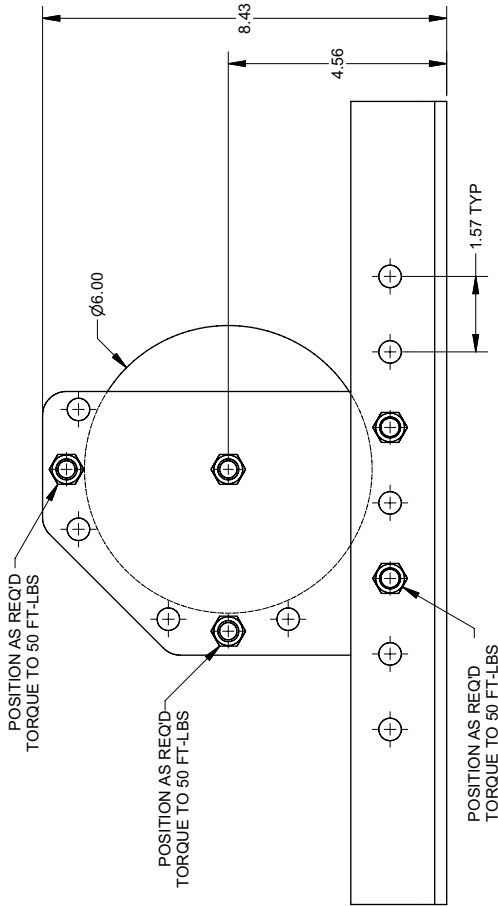
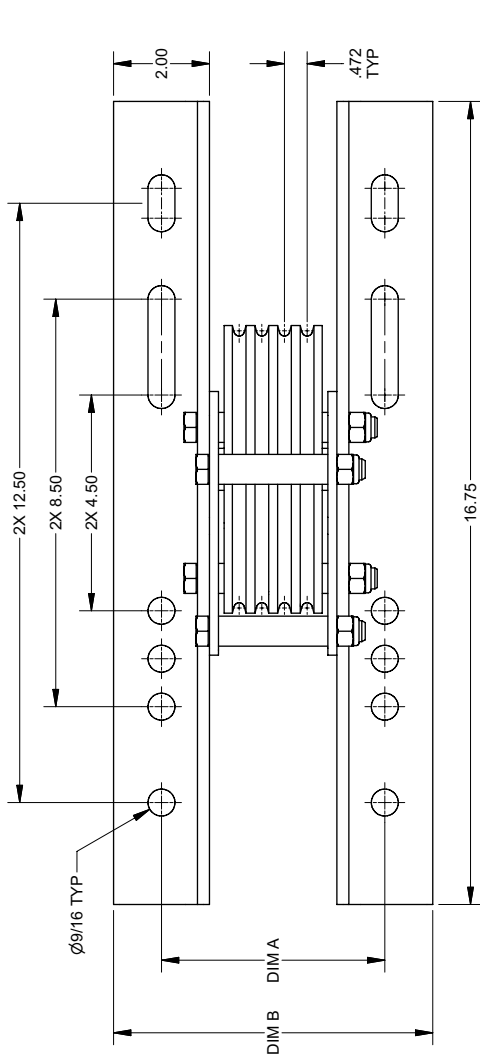


4 GROOVE MODEL SHOWN

CENTERED MOUNT SPACINGS



- NOTES:
1. WORKING LOAD LIMITS (WLL) \* :  
 - MAY EXCEED CAPACITY OF THE ROPE.  
 - USE ROPE MANUFACTURER'S RATING AND SAFETY FACTOR TO DETERMINE LOAD LIMIT.  
 - ARE FOR UNITS MOUNTED USING STANDARD DESIGN AND CONSTRUCTION.  
 - ARE BASED ON CABLES WRAPPED 90 DEGREES AROUND THE SHEAVES.  
 - CONTACT FACTORY FOR OTHER CONDITIONS.  
 - MINIMUM OF 4 ATTACHMENT POINTS.
  2. CONTACT FACTORY FOR NON-STANDARD GROOVE OR MOUNTING REQUIREMENTS.
  3. CONTACT FACTORY FOR OTHER CONDITIONS.

SPECIFICATIONS - DIMENSIONS (INCHES)

MODEL	GROOVES	ROPE SIZE	WLL (LBS) *	DIM A	DIM B	WEIGHT
8SA6-S1G19	1	Ø3/16	600	3.48	5.48	14.6 LBS
8SA6-S2G19	2	Ø3/16	600	3.71	5.71	14.9 LBS
8SA6-S3G19	3	Ø3/16	600	4.19	6.19	15.7 LBS
8SA6-S4G19	4	Ø3/16	1200	4.66	6.66	16.5 LBS
8SA6-S5G19	5	Ø3/16	1200	5.13	7.13	17.2 LBS
8SA6-S6G19	6	Ø3/16	1200	5.60	7.60	18.0 LBS
8SA6-S7G19	7	Ø3/16	1200	6.08	8.08	18.7 LBS
8SA6-S8G19	8	Ø3/16	1200	6.55	8.55	19.4 LBS
8SA6-S9G19	9	Ø3/16	1200	7.02	9.02	20.0 LBS

NOT FOR CONSTRUCTION

THIS PRINT IS THE PROPERTY OF THERM AND MUST NOT BE REPRODUCED EITHER IN FULL OR IN PART WITHOUT WRITTEN APPROVAL BY THERM.

**THERM STAGE EQUIPMENT**

5712 INDUSTRIAL PARK ROAD  
 WINONA, MN 55987  
 PHONE 1-800-555-2204  
 FAX 1-507-454-5282

TOLERANCES UNLESS SPECIFIED:  
 FINISH: 1/16" ANGLES: 1/32"  
 DO NOT SCALE DRAWING

**BLOCK W/ ANGLES - BALL BEARING**

MODEL: 8SA6-S SERIES      DATE: 5/9/2008      SCALE: N/A      WEIGHT: N/A      REVISION: N/A      SHEET 1 OF 1

DRAWING NUMBER: C4460