

# T70 CURTAIN TRACK

Heavy duty Hall Stage curtain track for medium and large sized venues.



## Product Features:

- **Load Capacity** is 15.5 lbs per carrier spaced at 1 foot intervals along track.
- **Steel Construction** electrically welded for improved durability.
- **Modular Design** allows for infinite range of track configurations. Sections fit together easily for seamless connection without need for splices.
- **Versatile Track Design** facilitates walk-along, hand line, and electric curtain controller operation options.
- **Track Runners** fit securely into the track and run smoothly for virtually silent operation. Easily add or move runners without disassembly.
- **Universal Fitting** allows for connection to any other mount option including face, girder, tube, z bracket and dealine suspension configuration.
- **Durable Black Epoxy Powder Coat Finish**
- **2-Year Limited Warranty**



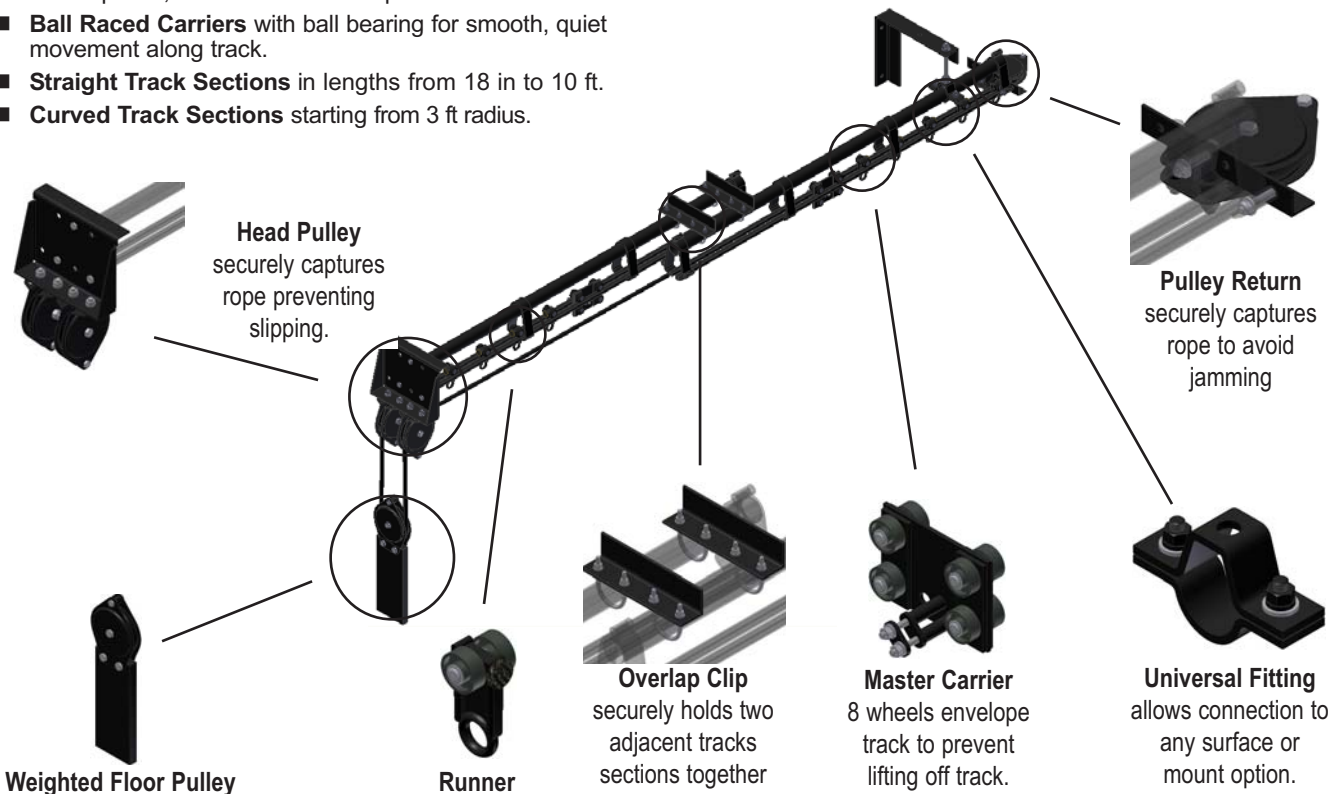
T70 Straight Track



T70 Curved Track

## Options and Accessories:

- **Accessories** include special pulleys, line guides, switch points, swivel arms and stops.
- **Ball Raced Carriers** with ball bearing for smooth, quiet movement along track.
- **Straight Track Sections** in lengths from 18 in to 10 ft.
- **Curved Track Sections** starting from 3 ft radius.



The Hall Stage logo is a trademark and is used with the permission of Hall Stage Limited.

Thern Stage Equipment ■ 5712 Industrial Park Rd ■ Winona, MN 55987  
800.553.2204 ■ fax 507.454.5282 ■ info@thernstage.com ■ www.thernstage.com